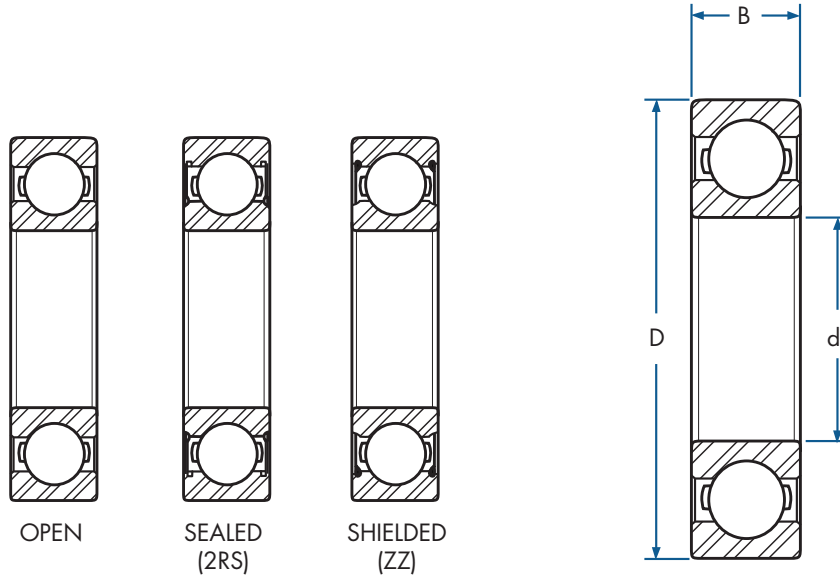


R Series- Inch



Bearing Size	d	D	B		Load Rating (lbs)		Limiting Speed (RPM)		
			Open (in)	Sealed / Shielded (in)	Dynamic	Static	Grease		Oil
					Cr	Cor	2RS	ZZ/OPEN	
R2	1/8	3/8	0.1562	0.1562	140	49	29400	49000	58000
R2A	1/8	1/2	0.1719	0.1719	255	90	29200	42000	51000
R3	3/16	1/2	0.1562	0.196	292	109	24600	41000	48000
R3A	3/16	5/8	0.196	0.196	292	109	24600	41000	48000
R4	1/4	5/8	0.196	0.196	360	150	21600	36000	43000
R4A	1/4	3/4	0.2188	0.2812	590	239	20400	34000	40000
R6	3/8	7/8	0.2188	0.2812	750	315	18600	31000	37000
R8	1/2	1-1/8	0.25	0.3125	1,150	540	15600	26000	30000
R10	5/8	1-3/8	0.2812	0.3438	1,340	728	12000	20000	23000
R12	3/4	1-5/8	0.3125	0.4375	2,110	1,120	10800	18000	21000
R14	7/8	1-7/8	0.375	0.5	2,270	1,310	9000	15000	18000
R16	1	2	0.375	0.5	2,270	1,310	8400	14000	16000
R18	1-1/8	2-1/8	0.375	0.5	2,980	1,860	7800	13000	15000
R20	1-1/4	2-1/4	0.375	0.5	2,980	1,860	7500	12000	14000
R22	1-3/8	2-1/2	0.4375	0.5625	3,590	2,320	7200	11000	12500
R24	1-1/2	2-5/8	0.4375	0.5625	3,770	2,590	6900	10000	11500